



Mini 1×8T Optical Switch

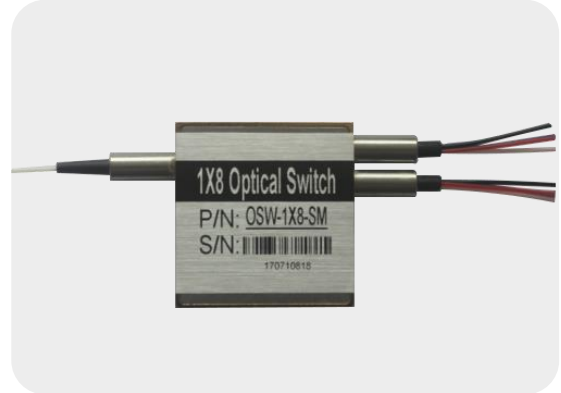
professional supplier of fiber optical component

◇ Feature:

- Unmatched Low Cost
- Low Insertion Loss
- High Channel Isolation
- Highly Stable and Reliable
- Epoxy-Free Optical path
- Latching or Non-Latching

◇ Application:

- Optical Network Protection/Restoration
- Optical Signal Routing
- Configurable Optical Add/Drop
- Transmitter and Receiver Protection
- Network Test Systems
- Instrumentation



◇ Performance

Parameter	Specification	
Operating Wavelength (nm)	850&1310±40	1260~1650
Insertion Loss (dB)	≤1.0	≤1.2
WDL (dB)	≤0.25	≤0.30
PDL (dB)	≤0.1	
Channel Cross Talk (dB)	≥40	≥55
Repeatability (dB)	±0.02	
Return loss (dB)	≥35	≥55
Switching Speed (ms)	≤8	
Drive Voltage (V)	5	
Power Handling (mW)	500	
Durability (Cycles)	10 Million	
Operating Temperature (°C)	0~70	
Storage Temperature (°C)	-40~85	
Fiber Type	N/125um	
Fiber Length (m)	Customer Specify	
Dimension (L×W×H) (mm)	35X35X8.5	



Mini 1×8T Optical Switch

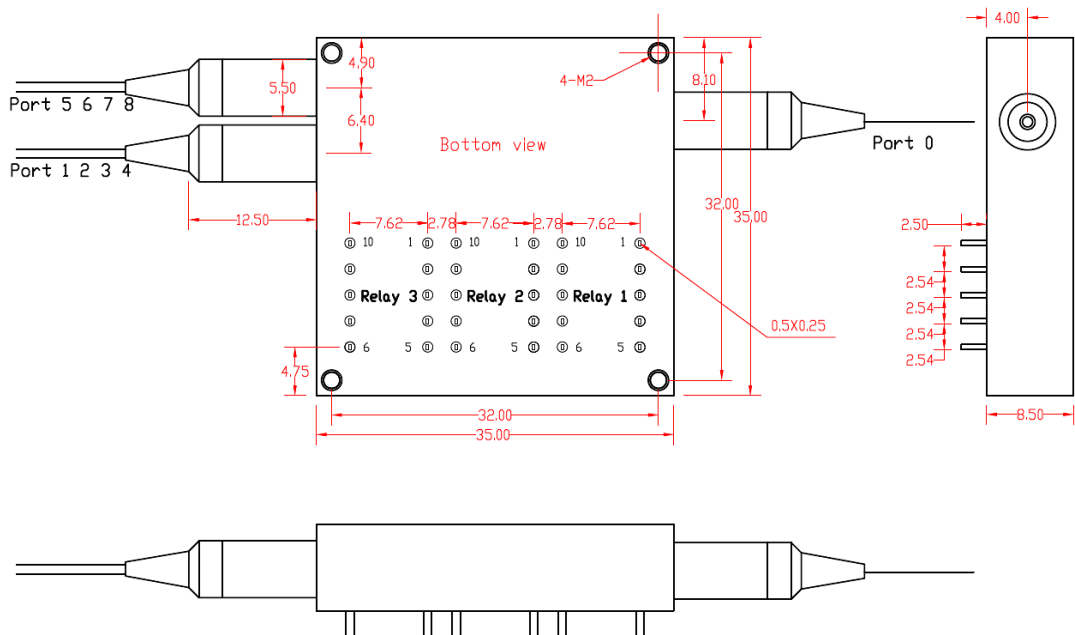
professional supplier of fiber optical component

◇ 引脚

Relay Status	Electric Drive (Pin #)					Sensor Status (Pin #)	
Latching		1	5	6	10	2-3,8-9	3-4,8-7
	0	-	-	GND	V+	Close	Open
	1	V+	GND	-	-	Open	Close
Non- Latching	0	-	-	-	-	Close	Open
	1	V+	-	-	GND	Open	Close

	Electric Drive		
	Relay1	Relay 2	Relay 3
Com = P1 (Black)	0	0	0
Com = P2 (Red)	0	0	1
Com = P3 (Blue)	0	1	0
Com = P4 (White)	0	1	1
Com = P5 (Black)	1	0	0
Com = P6 (Red)	1	0	1
Com = P7 (Blue)	1	1	0
Com = P8 (White)	1	1	1

◇ Dimensions(mm)





Mini 1×8T Optical Switch

professional supplier of fiber optical component

◇ Ordering Information: OSW-1×8T-A-B-C-D-E-F-G

A	B	C	D	E	F	G
Mode	Wavelength	Voltage	Control Model	Fiber Diameter	Fiber Length	Connector
SM:9/125um M5: 50/125um M6: 62.5/125um	85: 850nm 13: 1310nm 14: 1490nm 15: 1550nm 162: 1625nm 165: 1650nm 13/15:1310/1550nm	3: 3V 5: 5V	L: Latching N:Non-Latching	25:250um 90:900um	05:0.5m 10:1.0m 15:1.5m	OO:None FP: FC/PC FA: FC/APC SP: SC/PC SA: SC/APC LP: LC/PC LA: LC/APC

